

JUXTA D Series

General Specifications

Model DX1
Input/Output Thru Card

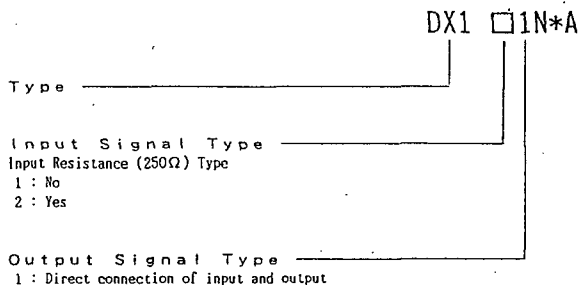
JUXTA

1. General

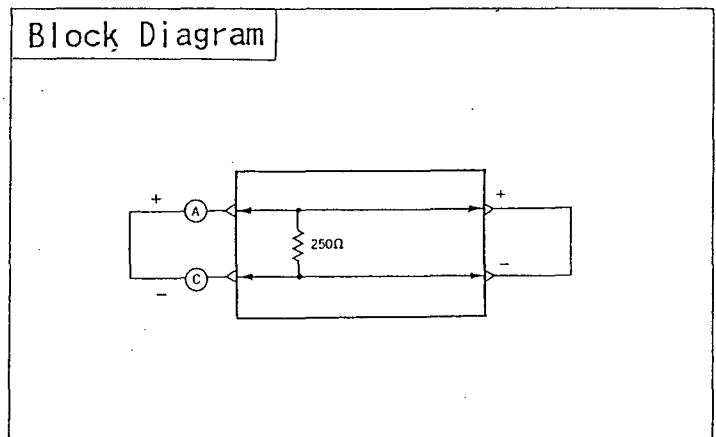
This device is the card of which input and output ends are directly combined.
The device converts 4~20mA DC signal from various transmitters into 1~5V DC signal.

2. Specifications

Input and Output	
Input resistance	250Ω (input type 2 only)
Standard Performance	
Accuracy rating	0.1% of span
Ambient temperature and humidity	0~50℃, 5~90% RH (no condensation)
Effect of ambient temperature change	±0.2% of span per 10℃ temperature change
Mounting & Dimension	
Boards	Both sides glass-epoxy
Mounting method	Store in exclusive nest (signal be connected through back board and connector)
Wiring	External wiring : Connect to terminal M4 screw of input/output of exclusive nest. Connection to IO card : By exclusive cable (connector)
External dimension	130.6 x 23.6 x 126mm (HxWxD)
Weight	About 50g
Accessories	
Tag number label 4

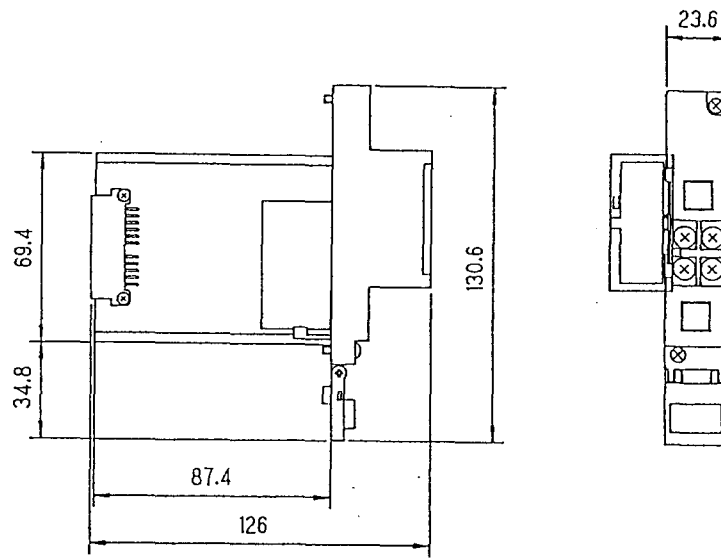


ORDERING INFORMATION
(Example) Type Code : DX1-21N*A



EXTERNAL DIMENSION

Unit : mm



Subject to change without notice for grade up quality and performance

GS JD99-01E